

● Feature 特性

- ★AT308 插件晶振、晶体谐振器
- ★满足无铅焊接的回流温度曲线要求
- ★高精度、高频率稳定性、可靠性
- ★符合RoHS标准，绿色环保
- ★降低电磁干扰（EMI）影响
- ★优良的耐环境特性，可达工业级温度
- ★包装：压封袋装，1000pcs/包

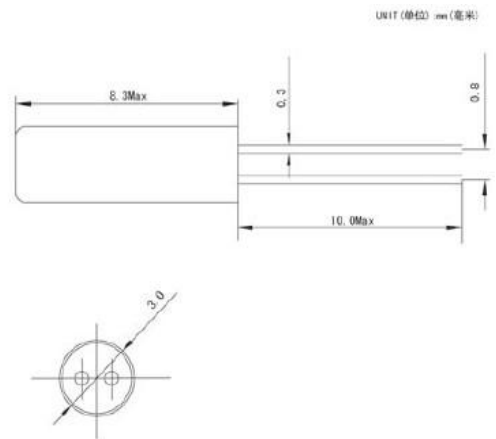
●Electrical specifications 电气参数

型号	Holder Type	AT 3×8
频率范围	Frequency Toleranc (ΔF) at 25°C	3.5~32MHz (Fund) 37~70MHz (3rd Overtone)
温度频差	Frequency rift	±10ppm~±20ppm
工作温度范围	Operating Temperature Range	-20°C~+70°C to -40°C~+85°C
储存温度范围	Storage Temperature Range	-20°C~+60°C to -55°C~+125°C
老化	Aging 25°C	±3ppm/year Maximum
静电容	Shunt Capacitance (C0)	5pf Maxmum
激励功率	Drive Level	100uw Max
绝缘阻抗	Insulaton Resistance	500Mohms at DC 100V
负载电容	Load Capacitance (CL)	Suggested by customer



Pb Free RoHS Compliant
Directive 2002/95/EC

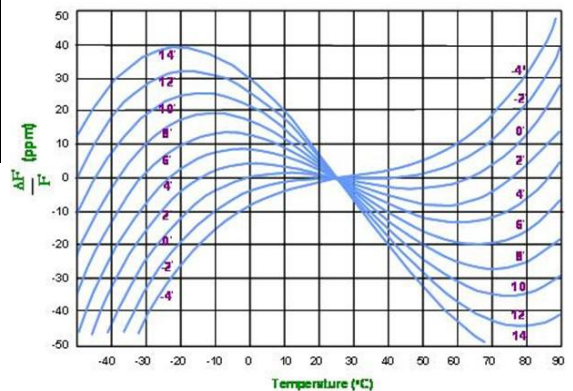
●Mechanical Dimensions 外型尺寸



●Equivalent Series Resistance and Mode of Operation
等效电阻和振荡模式

Frequency Range 频率范围	ESR(ohm) 等效阻抗	Mode 振荡模式
3.500-4.000 MHz	150Max	Fundamental
4.000-6.000 MHz	120Max	Fundamental
6.000-8.000 MHz	90Max	Fundamental
8.000-10.000 MHz	80Max	Fundamental
10.000-27.000 MHz	50Max	Fundamental
27.000-37.000 MHz	30Max	Fundamental
37.000-70.000 MHz	80Max	Third Overtone

●Frequency VS. Temperature Curve



●Reflow condition 回流焊条件

